
4 ALBERT EMBANKMENT
LONDON SE1 7SR
Telephone: +44 (0)20 7735 7611 Fax: +44 (0)20 7587 3210

MSC.1/Circ.1312/Corr.1
22 November 2011

**REVISED GUIDELINES FOR THE PERFORMANCE AND TESTING CRITERIA, AND
SURVEYS OF FOAM CONCENTRATES FOR FIXED FIRE-EXTINGUISHING SYSTEMS**

Corrigendum

In the annex to the circular, replace figures 1 to 4 with the following:

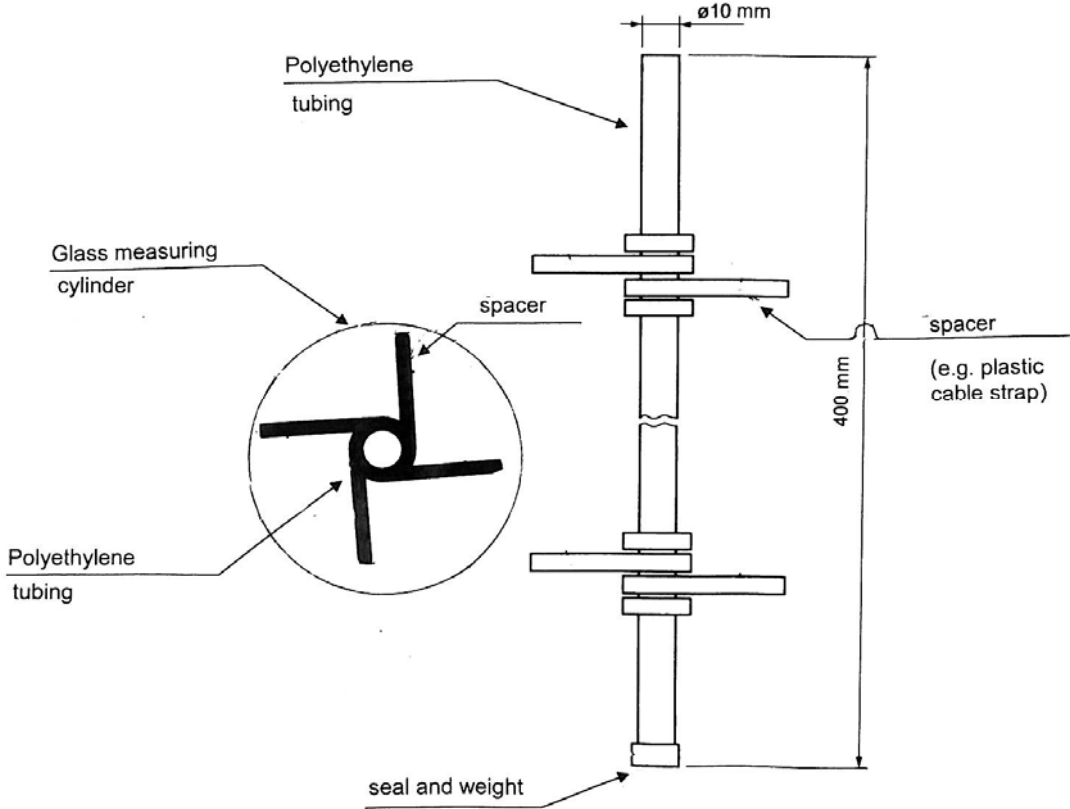


Figure 1 – Typical form of polyethylene tube

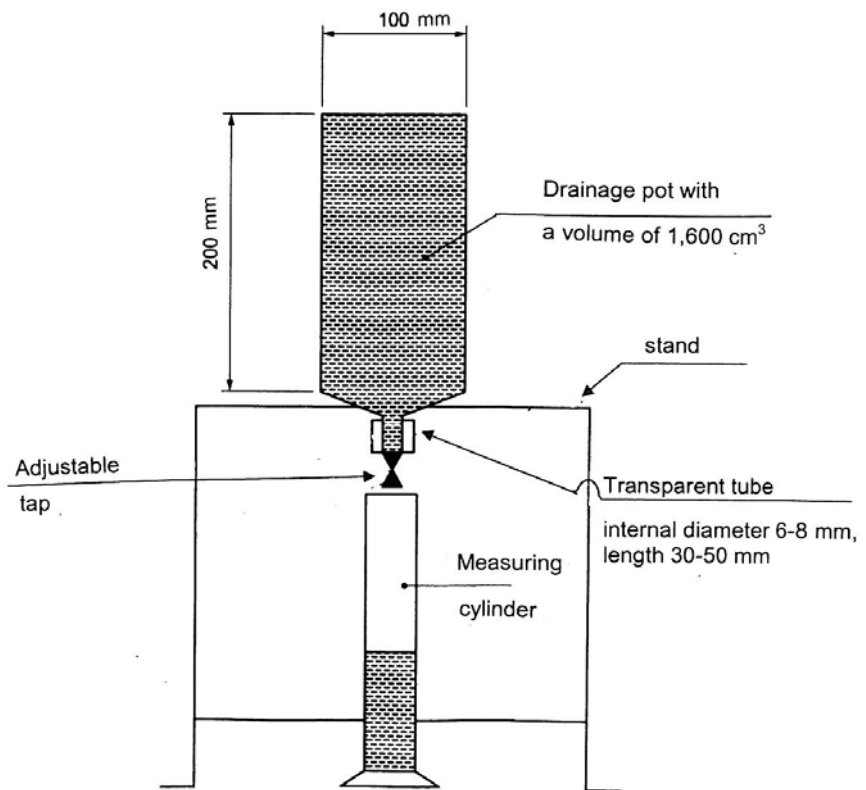


Figure 2 – Collecting vessel for determination of expansion and drainage time

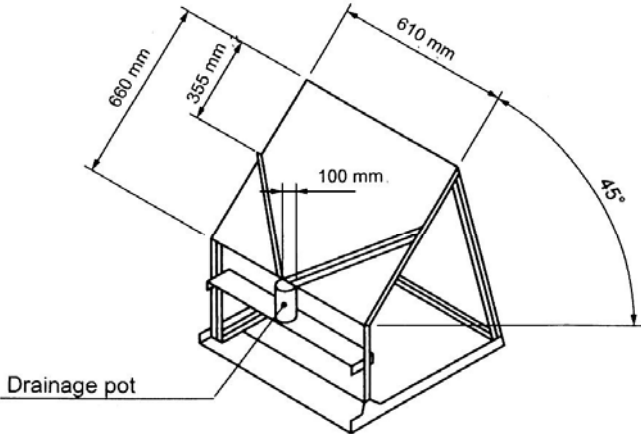


Figure 3 – Foam collector for expansion and drainage measurement

Note: Suitable materials for the collection surface are stainless steel, aluminium, brass or plastics

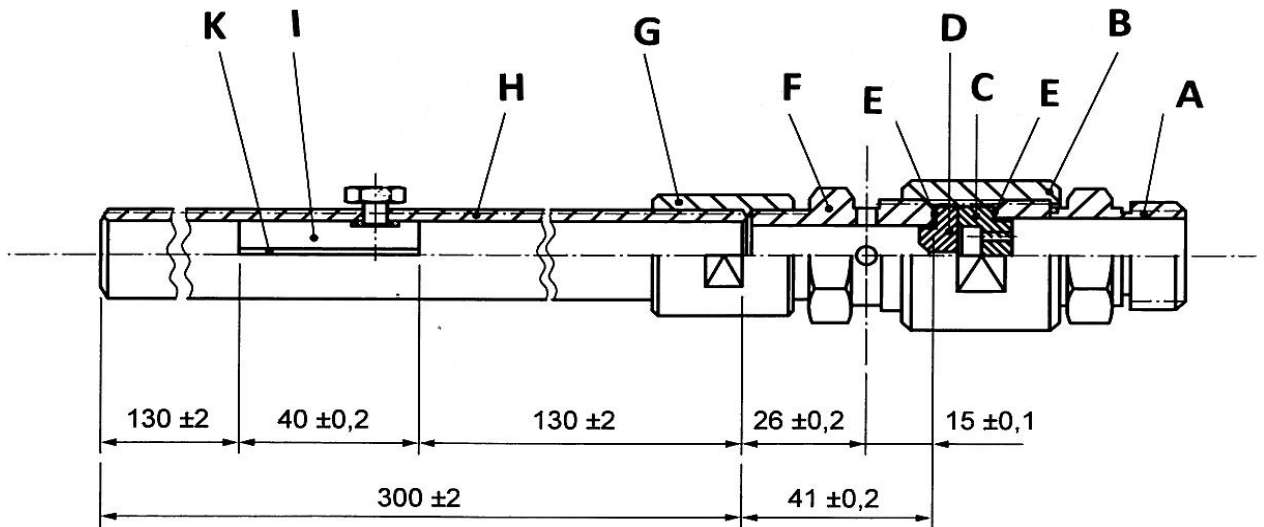


Figure 4 – Foam-making nozzle; all dimensions in millimetres

See attached sketches

